



## HS Lift & Slide patio doors



The HS range of lift and slide patio doors offer the opportunity to create large glass walls using a contemporary and high specification sliding door system. Choose from 2 panel, 4 panel or our unique triple sliding door range to create glass walls up to 13m long and 3m high. All doors benefit from 48 or 54mm triple glazing with low maintenance aluminium cladding externally in a sympathetic profile to match all our window systems and a choice of internal finishes and timbers to enhance any room.

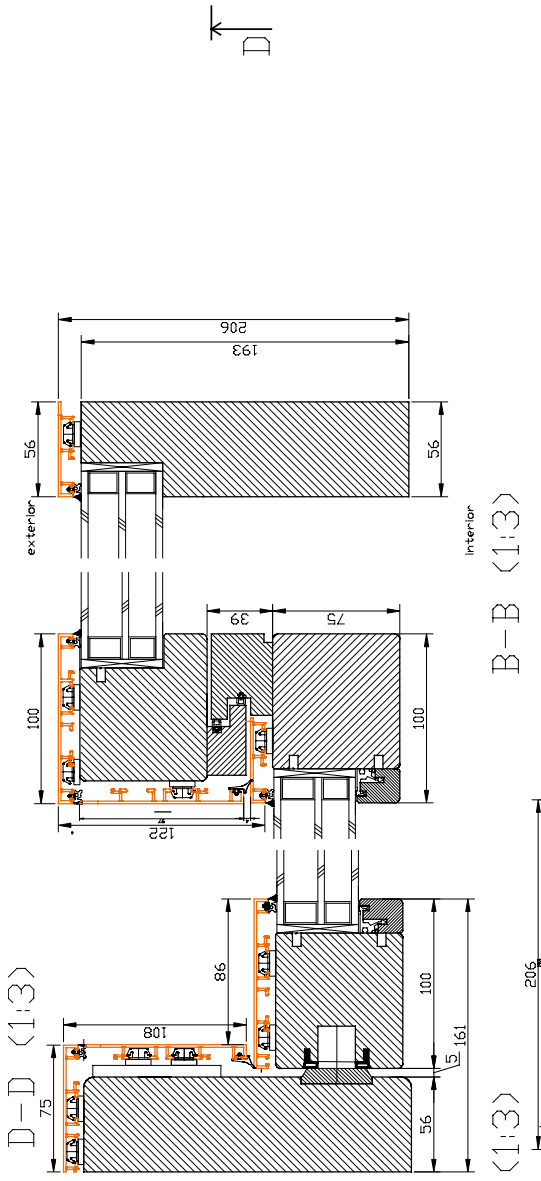
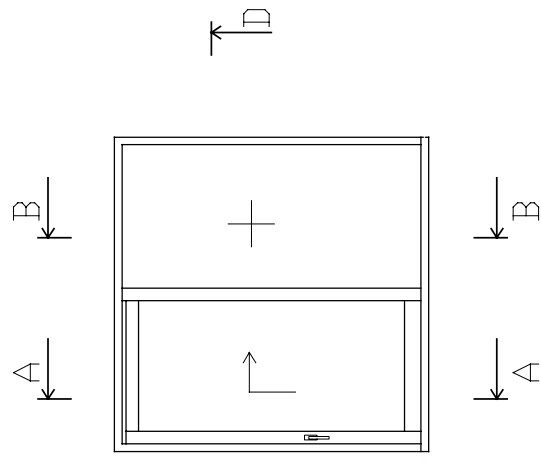
### Performance ratings

- ✓ Wind load resistance: Class C4
- ✓ Thermal transmittance: 0.94W/m K
- ✓ Watertightness: Class 6A/7B

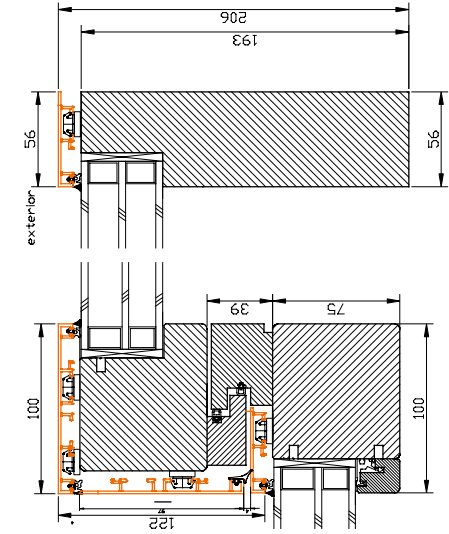
### Features & benefits

- ✓ External high performance Aluminium cladding
- ✓ 48mm high performance triple glazing as standard
- ✓ Extensive choice of external and internal colours and finishes
- ✓ Quadruple gasket sealing system
- ✓ Choice of internal timbers including Larch, Meranti & Oak
- ✓ Lift and slide mechanism with drop position at any point in slide rail
- ✓ Low maintenance with corrosion resistant external facade
- ✓ High thermal performance with low heat loss and home running costs
- ✓ Extensive options offering individual customer design and specification

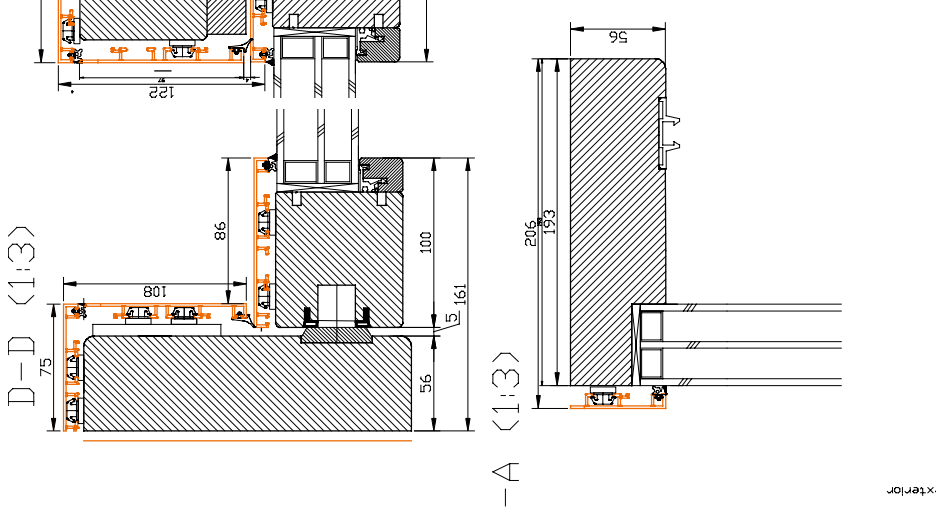
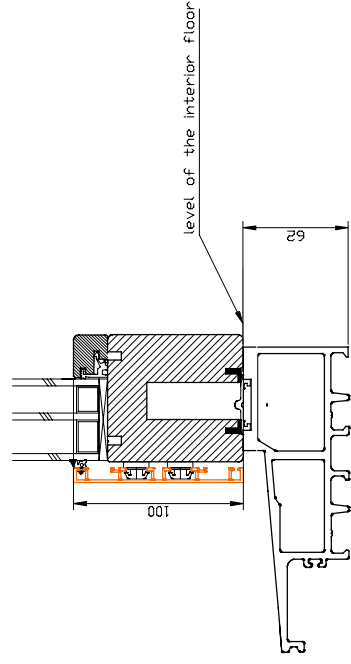
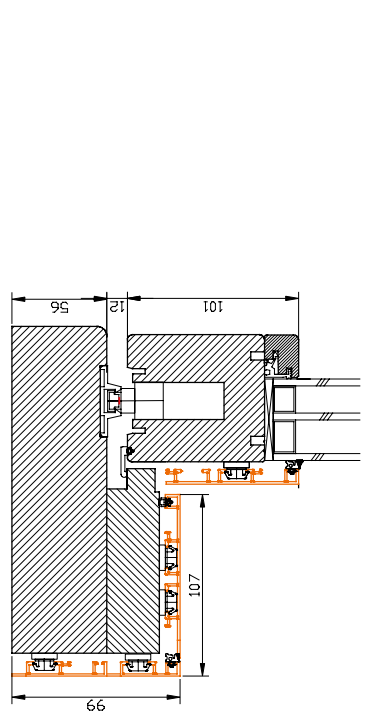
SPECIFICATIONS		HS200 2 panel	HS300 3 panel	HS400 4 panel
Dimensions	Frame depth inc cladding	215mm	305mm	215mm
	Visible frame	100mm	100mm	100mm
	Glass thickness	48mm	48mm	48mm
	Max single opening sash width	6500mm	9900mm	13000mm
	Max single opening sash height	3000mm	3000mm	3000mm
Frame options	Square	✓	✓	✓
	Angled	✓	✓	✓
	Glass to glass corner	✓	✓	✓
Opening options	Fixed lights	✓	✓	✓
	Multiple openings	✓	✓	✓
Timber options	Spruce	✓	✓	✓
	Larch	✓	✓	✓
	Meranti	✓	✓	✓
	Oak	✓	✓	✓
Colour options	External aluminium cladding	Any RAL	Any RAL	Any RAL
	Internal timber	Stain or paint	Stain or paint	Stain or paint



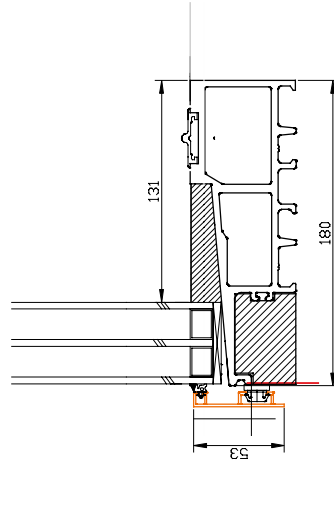
A-A (1:3)



B-B (1:3)



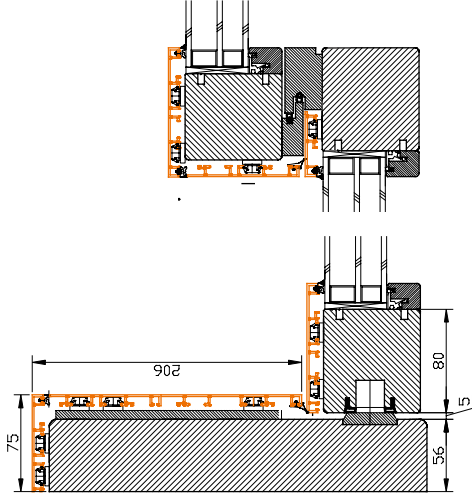
D-D (1:3)



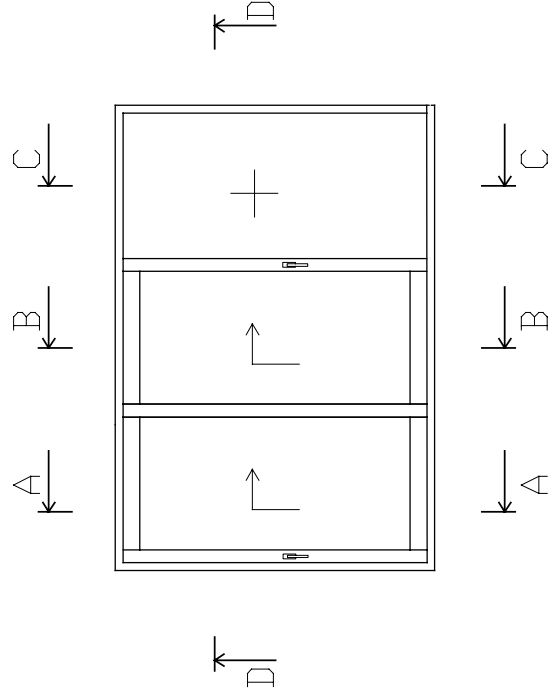
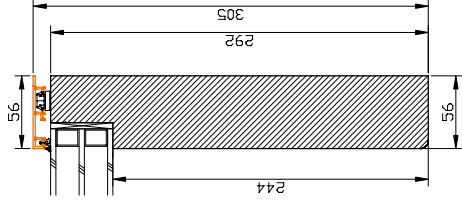
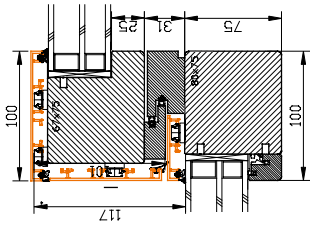
HS200 lift & slide patio door

2 Panel

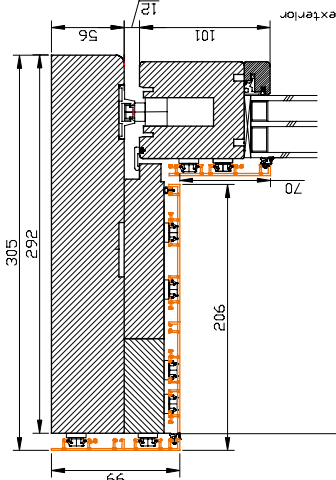
D-D (1:4)



exterior

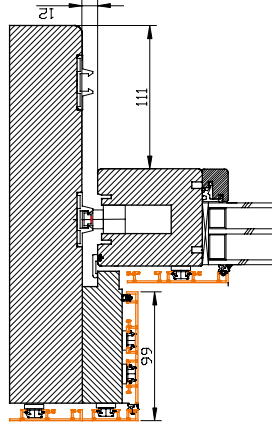


A-A (1:4)



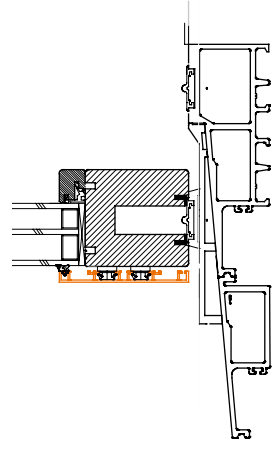
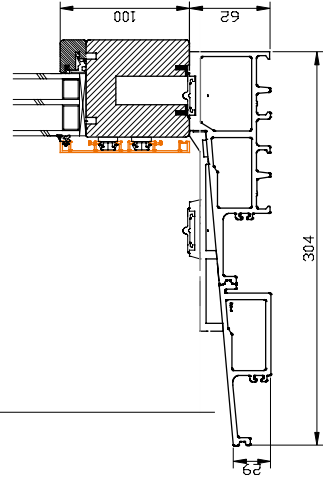
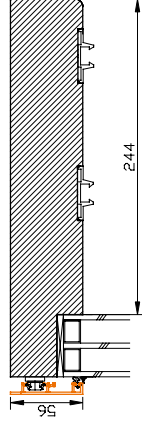
exterior

B-B (1:4)

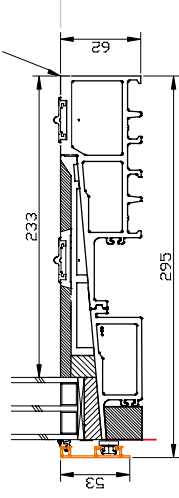


interior

C-C (1:4)

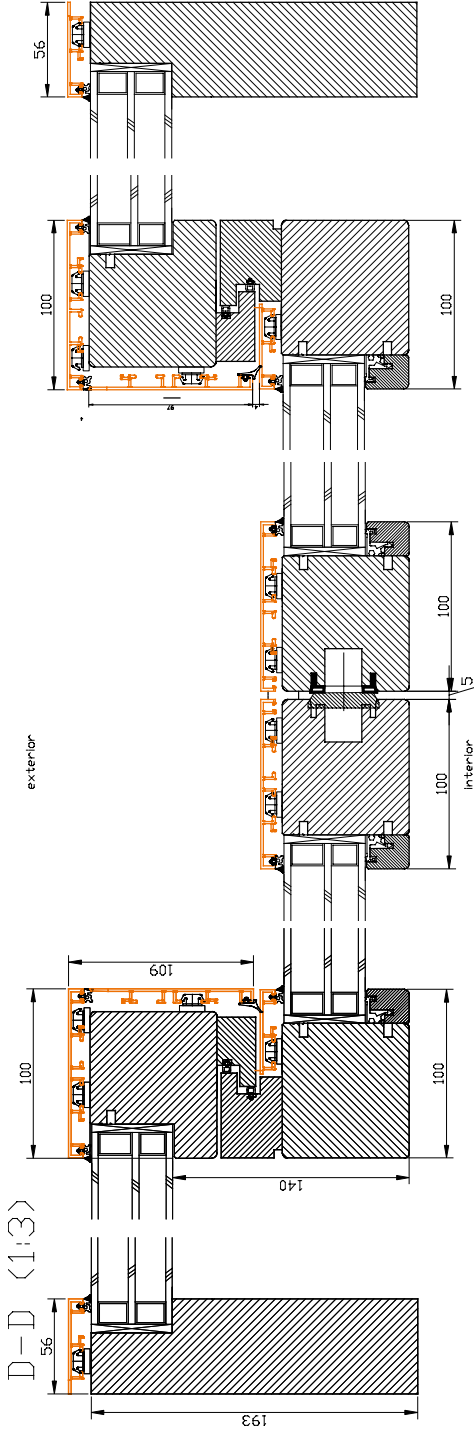


level of the interior floor

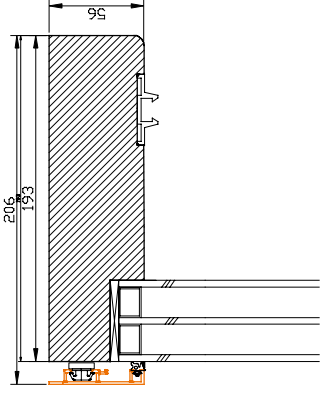


HS300 lift & slide patio door

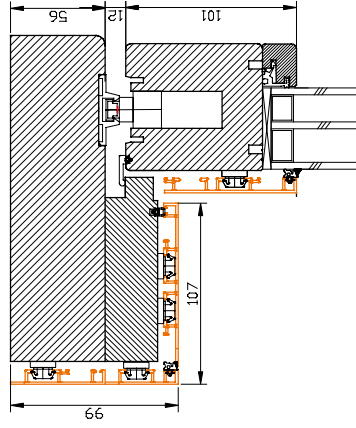
3 Panel



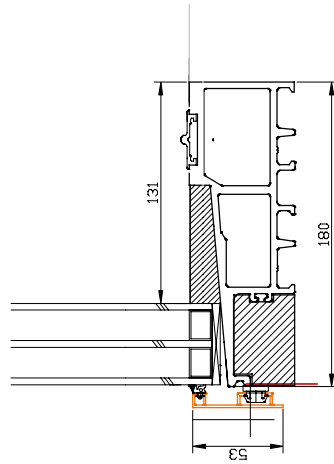
A-A (1:3)



B-B (1:3)

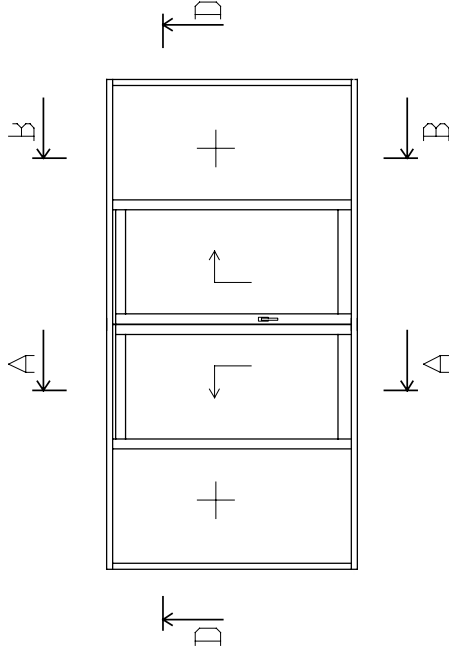


interior



exterior

level of the interior floor



HS400 lift & slide patio door

4 Panel